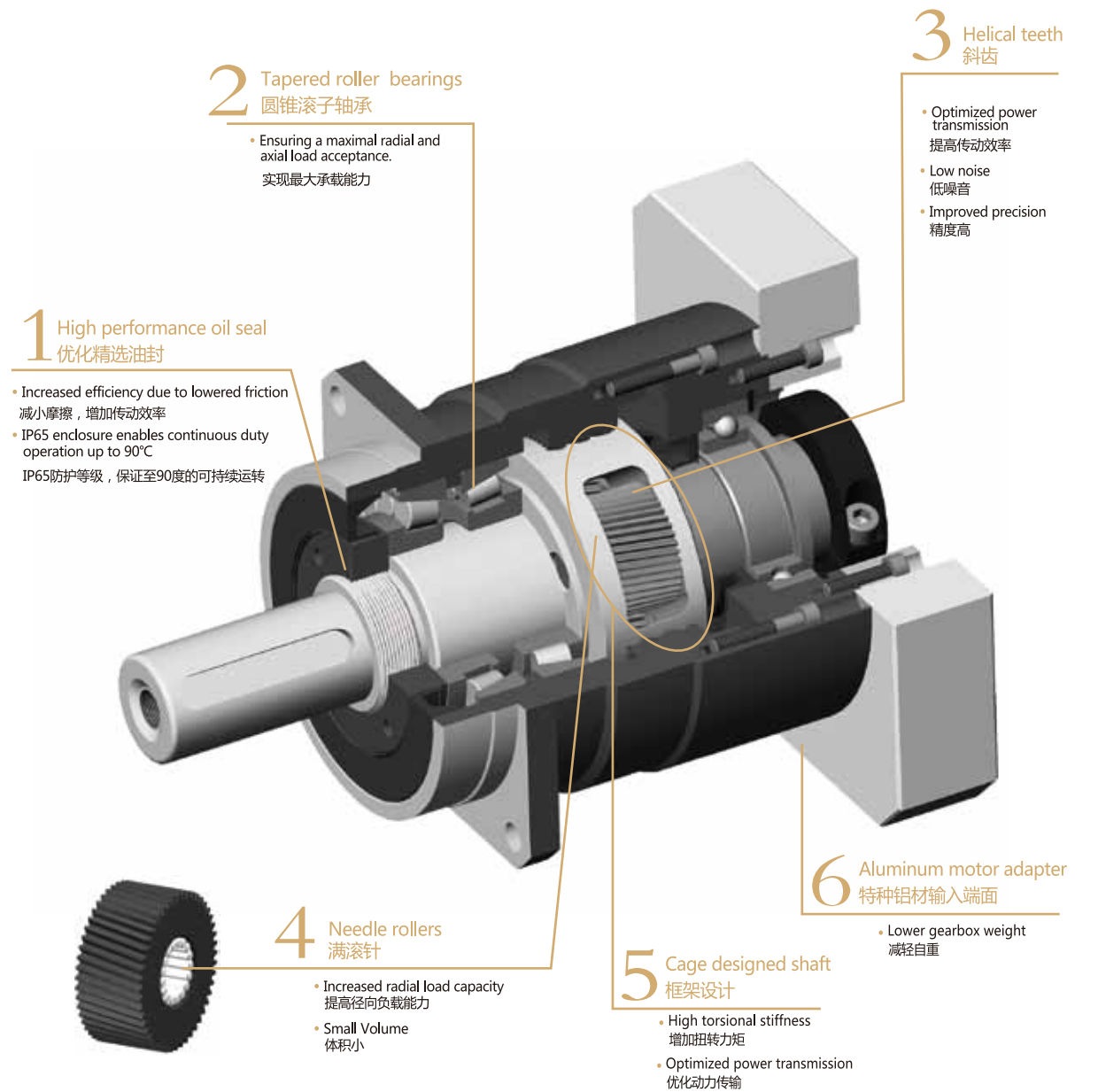




High standards, long service life, high torsional stiffness, high efficiency, low noise, low backlash.

高标准，寿命长，高刚性，高效率，低噪音，低背隙



**造型数据:
Selection data:**

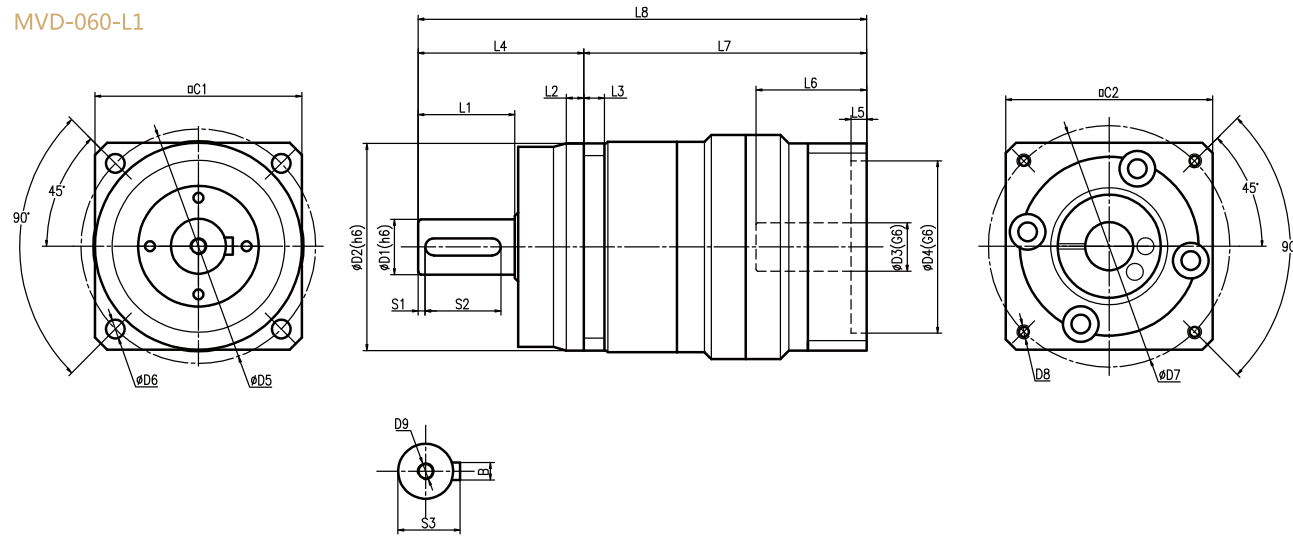
扭矩 (Nm)	34-2300
速比	3-100
背隙 (arcmin)	3-5
最大工作温度 (°C)	90
噪音 (dB)	60-75

Nominal output torque (Nm)	34-2300
Reduction ratio	3-100
Backlash (arcmin)	3-5
Max.working temperature (°C)	90
Noise (dB)	60-75

Planetary Gearbox

Drawing / Size

MVD-060-L1

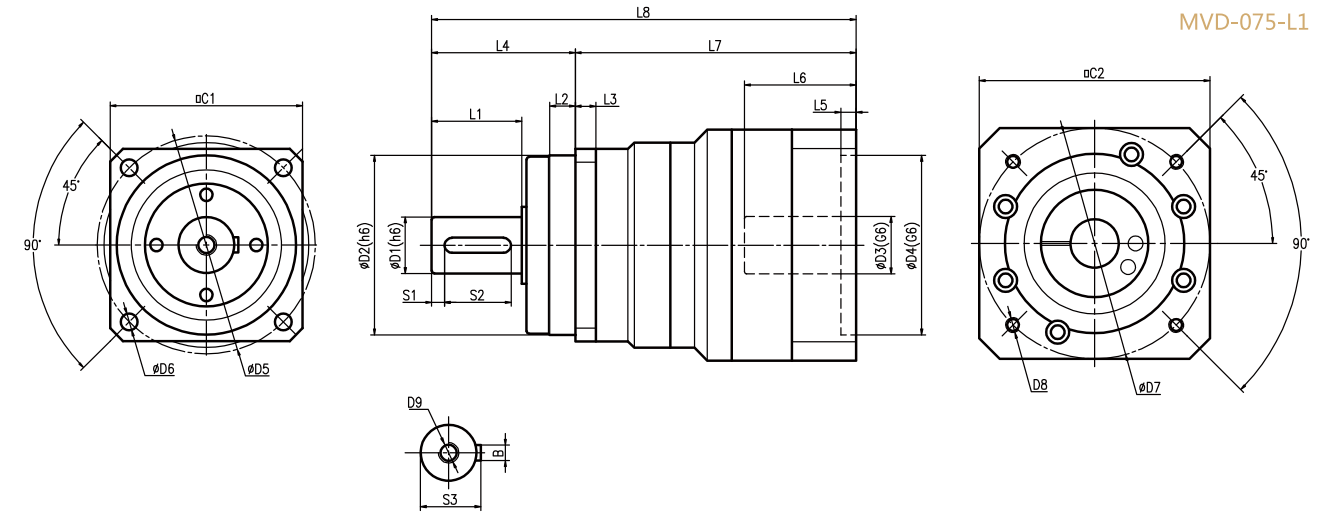


Flange	D1	D2	D3*	D4*	D5	D6	D7*	D8*	D9	L1	L2	L3	L4	L5*	L6*	L7*	L8*	C1	C2*	S1	S2	S3	B
Type I	Φ16	Φ60	Φ8	Φ30	Φ68	4-Φ5.5	Φ46	4-M3X8	M5X12	28	5	6	48	8	42.5	95	143	60	40	2	22	18	5
Type II	Φ16	Φ60	Φ11	Φ50	Φ68	4-Φ5.5	Φ70	4-M4X10	M5X12	28	5	6	48	9	43.5	96	144	60	60	2	22	18	5
Type III	Φ16	Φ60	Φ14	Φ50	Φ68	4-Φ5.5	Φ70	4-M5X12	M5X12	28	5	6	48	9	43.5	96	144	60	60	2	22	18	5
Type IV	Φ16	Φ60	Φ19	Φ70	Φ68	4-Φ5.5	Φ90	4-M5X12	M5X12	28	5	6	48	7.5	42	94.5	142.5	60	80	2	22	18	5

Planetary Gearbox

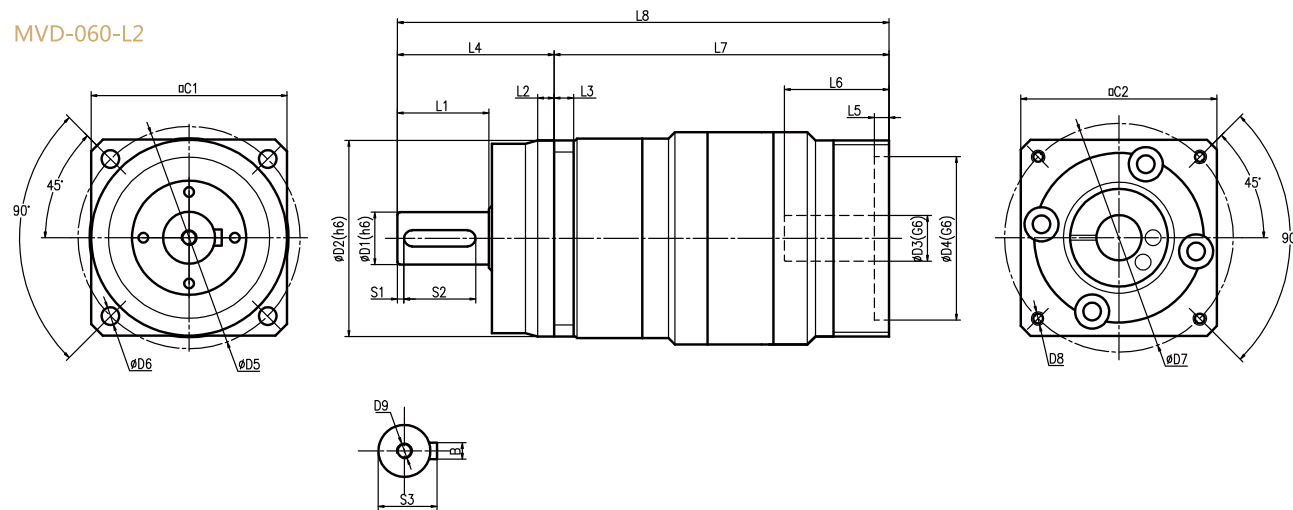
Drawing / Size

MVD-075-L1



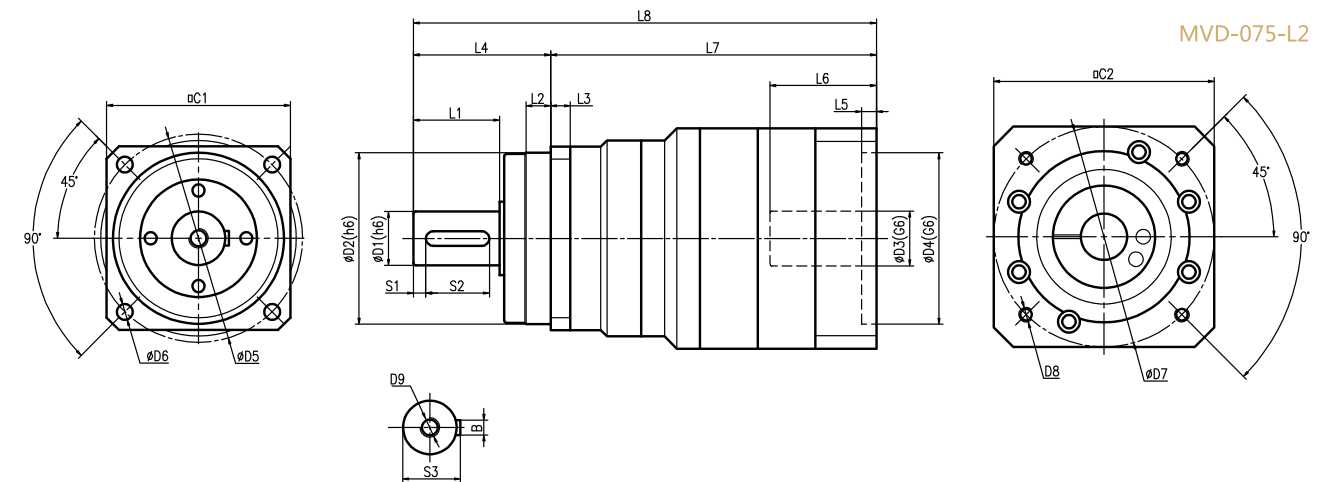
Flange	D1	D2	D3*	D4*	D5	D6	D7*	D8*	D9	L1	L2	L3	L4	L5*	L6*	L7*	L8*	C1	C2*	S1	S2	S3	B
Type I	Φ22	Φ70	Φ14	Φ50	Φ85	4-Φ6.6	Φ70	4-M4X10	M8X18	36	10	8	56	10.5	50.5	117.5	173.5	75	60	5	25	24.5	6
Type II	Φ22	Φ70	Φ19	Φ70	Φ85	4-Φ6.6	Φ90	4-M5X12	M8X18	36	10	8	56	11	51	118	174	75	80	5	25	24.5	6
Type III	Φ22	Φ70	Φ22	Φ110	Φ85	4-Φ6.6	Φ145	4-M8X16	M8X18	36	10	8	56	16	66	133	189	75	130	5	25	24.5	6
Type IV	Φ22	Φ70	Φ24	Φ110	Φ85	4-Φ6.6	Φ145	4-M8X16	M8X18	36	10	8	56	16	66	133	189	75	130	5	25	24.5	6

MVD-060-L2



Flange	D1	D2	D3*	D4*	D5	D6	D7*	D8*	D9	L1	L2	L3	L4	L5*	L6*	L7*	L8*	C1	C2*	S1	S2	S3	B
Type I	Φ16	Φ60	Φ8	Φ30	Φ68	4-Φ5.5	Φ46	4-M3X8	M5X12	28	5	6	48	8	42.5	116.5	164.5	60	40	2	22	18	5
Type II	Φ16	Φ60	Φ11	Φ50	Φ68	4-Φ5.5	Φ70	4-M4X10	M5X12	28	5	6	48	9	43.5	117.5	165.5	60	60	2	22	18	5
Type III	Φ16	Φ60	Φ14	Φ50	Φ68	4-Φ5.5	Φ70	4-M5X12	M5X12	28	5	6	48	9	43.5	117.5	165.5	60	60	2	22	18	5

MVD-075-L2



Flange	D1	D2	D3*	D4*	D5	D6	D7*	D8*	D9	L1	L2	L3	L4	L5*	L6*	L7*	L8*	C1	C2*	S1	S2	S3	B
Type I	Φ22	Φ70	Φ14	Φ50	Φ85	4-Φ6.6	Φ70	4-M4X10	M8X18	36	10	8	56	10.5	50.5	143	199	75	60	5	25	24.5	6
Type II	Φ22	Φ70	Φ19	Φ70	Φ85	4-Φ6.6	Φ90	4-M5X12	M8X18	36	10	8	56	11	51	143.5	199.5	75	80	5	25	24.5	6
Type III	Φ22	Φ70	Φ22	Φ110	Φ85	4-Φ6.6	Φ145	4-M8X16	M8X18	36	10	8	56	16	66	158.5	214.5	75	130	5	25	24.5	6
Type IV	Φ22	Φ70	Φ24	Φ110	Φ85	4-Φ6.6	Φ145	4-M8X16	M8X18	36	10	8	56	16	66	158.5	214.5	75	130	5	25	24.5	6

*Dimensions based on servo-motor, please contact us for custom made order.
注有 * 尺寸：代表可根据客户需求定制产品，如有需要，请联系我们！

*Dimensions based on servo-motor, please contact us for custom made order.
注有 * 尺寸：代表可根据客户需求定制产品，如有需要，请联系我们！

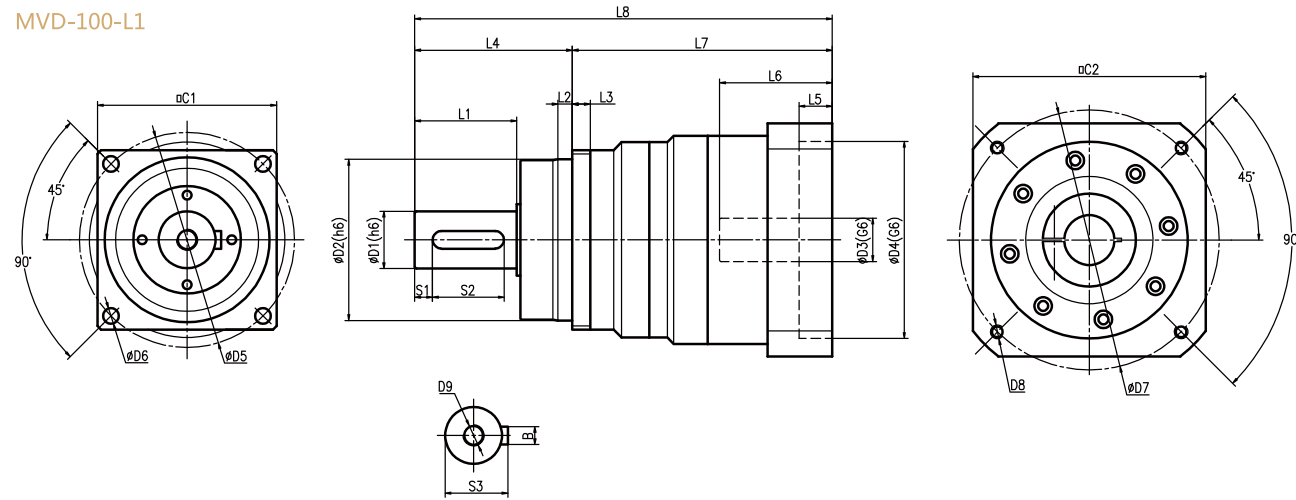
Planetary Gearbox

Drawing / Size

Planetary Gearbox

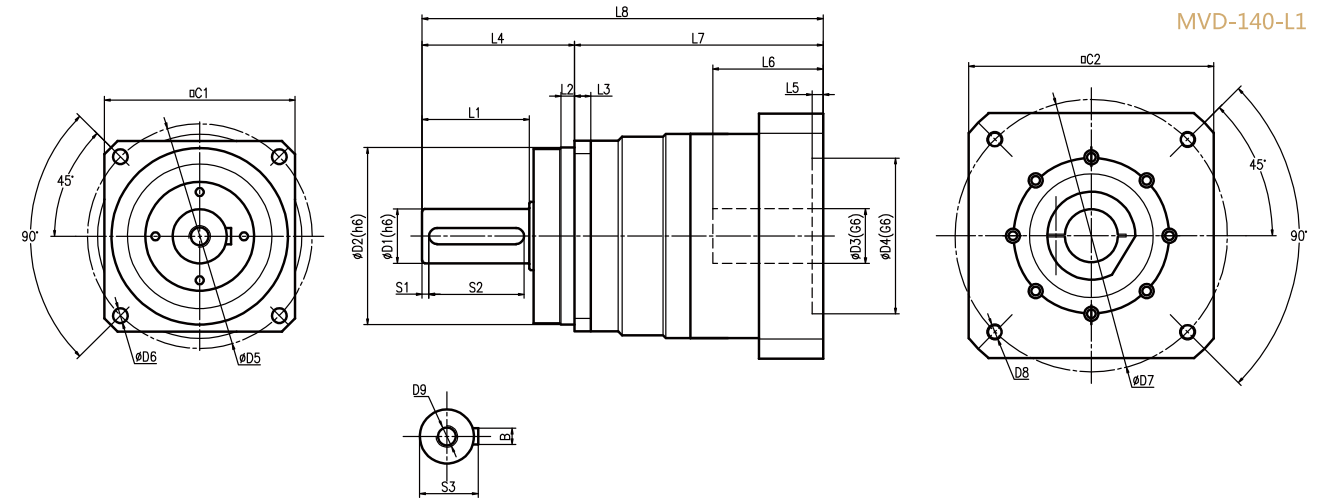
Drawing / Size

MVD-100-L1



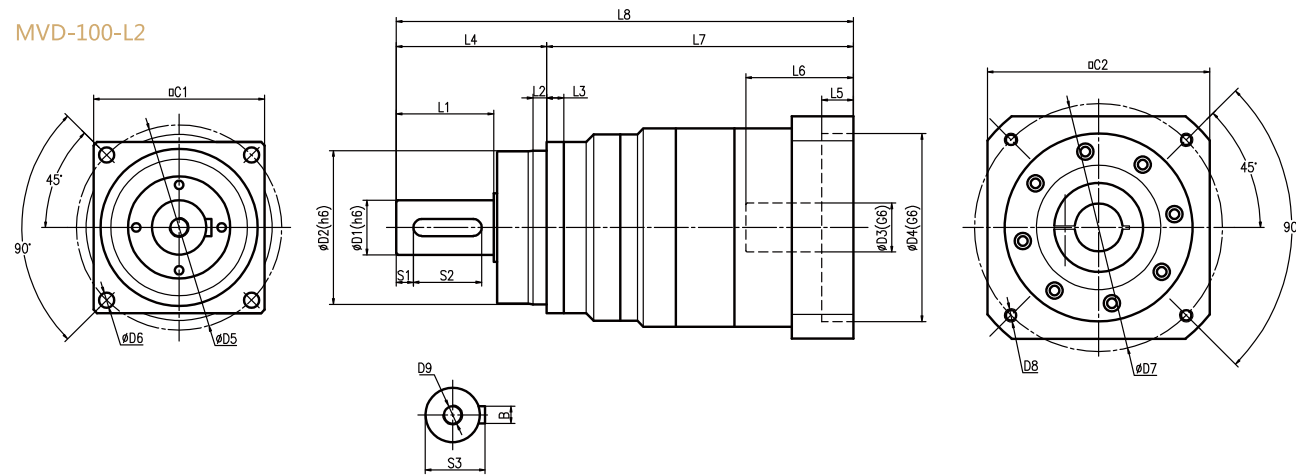
Flange	D1	D2	D3*	D4*	D5	D6	D7*	D8*	D9	L1	L2	L3	L4	L5*	L6*	L7*	L8*	C1	C2*	S1	S2	S3	B
Type I	Φ32	Φ90	Φ19	Φ70	Φ120	4-Φ9	Φ90	4-M5X12	M12X28	58	8	10	88	12	62	139	227	100	80	10	40	35	10
Type II	Φ32	Φ90	Φ24	Φ110	Φ120	4-Φ9	Φ145	4-M8X16	M12X28	58	8	10	88	18.5	68	145	233	100	130	10	40	35	10
Type III	Φ32	Φ90	Φ28	Φ110	Φ120	4-Φ9	Φ145	4-M8X16	M12X28	58	8	10	88	18.5	68	145	233	100	130	10	40	35	10
Type IV	Φ32	Φ90	Φ35	Φ1143	Φ120	4-Φ9	Φ200	4-M12X25	M12X28	58	8	10	88	36.5	82	153	247	100	180	10	40	35	10

MVD-140-L1



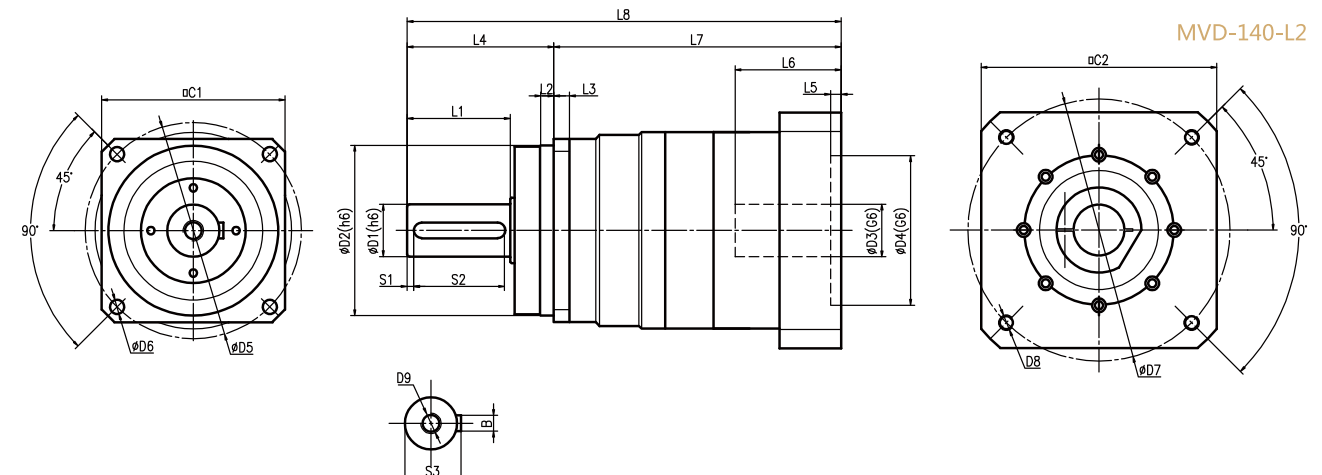
Flange	D1	D2	D3*	D4*	D5	D6	D7*	D8*	D9	L1	L2	L3	L4	L5*	L6*	L7*	L8*	C1	C2*	S1	S2	S3	B
Type I	Φ40	Φ130	Φ24	Φ110	Φ165	4-Φ11	Φ145	4-M8X16	M16X35	80	10	12	112	8	69	170.5	282.5	140	130	5	70	43	12
Type II	Φ40	Φ130	Φ35	Φ1143	Φ165	4-Φ11	Φ200	4-M12X25	M16X35	80	10	12	112	8	81	182.5	294.5	140	180	5	70	43	12
Type III	Φ40	Φ130	Φ38	Φ1143	Φ165	4-Φ11	Φ200	4-M12X25	M16X35	80	10	12	112	8	81	182.5	294.5	140	180	5	70	43	12
Type IV	Φ40	Φ130	Φ48	Φ1143	Φ165	4-Φ11	Φ200	4-M12X25	M16X35	80	10	12	112	8	115	216.5	328.5	140	180	5	70	43	12

MVD-100-L2



Flange	D1	D2	D3*	D4*	D5	D6	D7*	D8*	D9	L1	L2	L3	L4	L5*	L6*	L7*	L8*	C1	C2*	S1	S2	S3	B
Type I	Φ32	Φ90	Φ19	Φ50	Φ120	4-Φ9	Φ70	4-M5X12	M12X28	58	8	10	88	12	61	172	260	100	60	10	40	35	10
Type II	Φ32	Φ90	Φ24	Φ70	Φ120	4-Φ9	Φ90	4-M5X12	M12X28	58	8	10	88	12	62	172	260	100	80	10	40	35	10
Type III	Φ32	Φ90	Φ28	Φ110	Φ120	4-Φ9	Φ145	4-M8X16	M12X28	58	8	10	88	18.5	68	178	266	100	130	10	40	35	10

MVD-140-L2



Flange	D1	D2	D3*	D4*	D5	D6	D7*	D8*	D9	L1	L2	L3	L4	L5*	L6*	L7*	L8*	C1	C2*	S1	S2	S3	B
Type I	Φ40	Φ130	Φ24	Φ110	Φ165	4-Φ11	Φ145	4-M8X16	M16X35	80	10	12	112	6	69	210	322	140	130	5	70	43	12
Type II	Φ40	Φ130	Φ35	Φ1143	Φ165	4-Φ11	Φ200	4-M12X25	M16X35	80	10	12	112	8	81	222	334	140	180	5	70	43	12
Type III	Φ40	Φ130	Φ38	Φ1143	Φ165	4-Φ11	Φ200	4-M12X25	M16X35	80	10	12	112	8	81	222	334	140	180	5	70	43	12

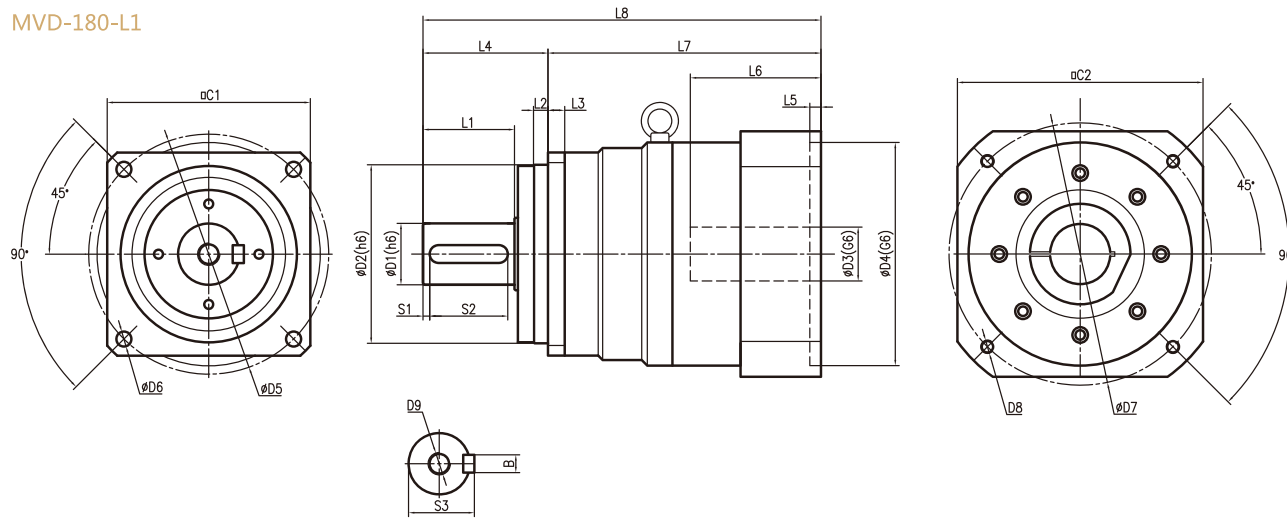
*Dimensions based on servo-motor, please contact us for custom made order.
注有 * 尺寸：代表可根据客户需求定制产品，如有需要，请联系我们！

*Dimensions based on servo-motor, please contact us for custom made order.
注有 * 尺寸：代表可根据客户需求定制产品，如有需要，请联系我们！

Planetary Gearbox

Drawing / Size

MVD-180-L1

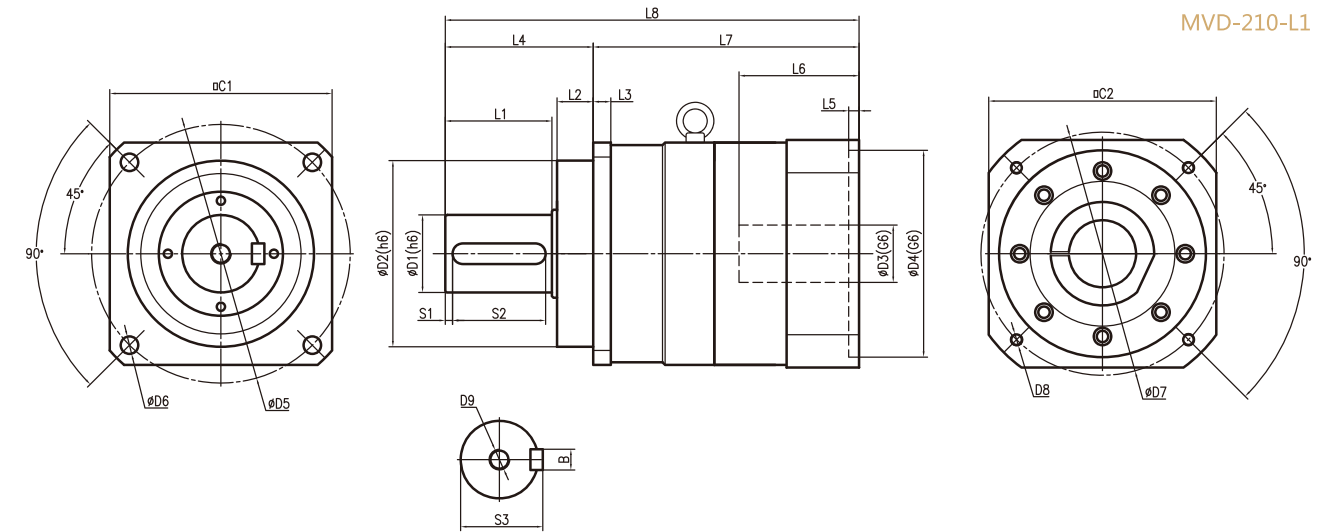


Flange	D1	D2	D3*	D4*	D5	D6	D7*	D8*	D9	L1	L2	L3	L4	L5*	L6*	L7*	L8*	C1	C2*	S1	S2	S3	B
Type I	Φ55	Φ160	Φ38	Φ114.3	Φ215	4-Φ135	Φ200	4-M12X25	M20X28	82	13	15	112	10	83	210.5	322.5	182	180	6	70	59	16
Type II	Φ55	Φ160	Φ42	Φ114.3	Φ215	4-Φ135	Φ200	4-M12X25	M20X28	82	13	15	112	10	117	244.5	356.5	182	180	6	70	59	16
Type III	Φ55	Φ160	Φ48	Φ200	Φ215	4-Φ135	Φ235	4-M12X25	M20X28	82	13	15	112	10	117	244.5	356.5	182	220	6	70	59	16

Planetary Gearbox

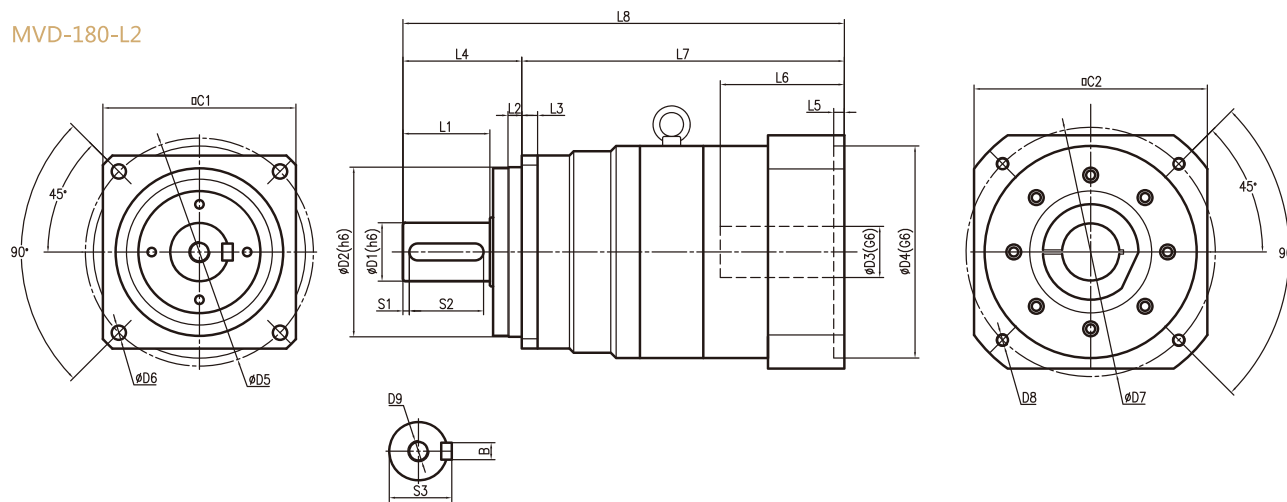
Drawing / Size

MVD-210-L1



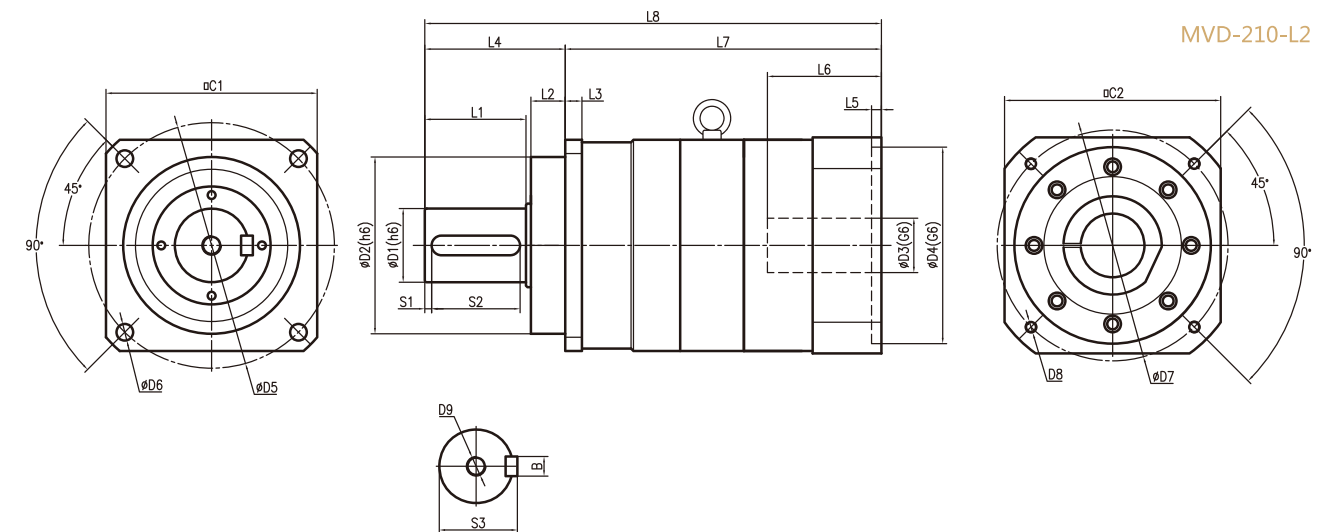
Flange	D1	D2	D3*	D4*	D5	D6	D7*	D8*	D9	L1	L2	L3	L4*	L5*	L6*	L7*	L8*	C1*	C2*	S1	S2	S3	B
Type I	Φ75	Φ180	Φ48	Φ200	Φ250	4-Φ17	Φ235	4-M12X25	M20X42	105	35	17	143	10	116	257	400	215	220	7	90	79.5	20
Type II	Φ75	Φ180	Φ55	Φ200	Φ250	4-Φ17	Φ235	4-M12X25	M20X42	105	35	17	143	10	116	257	400	215	220	7	90	79.5	20

MVD-180-L2



Flange	D1	D2	D3*	D4*	D5	D6	D7*	D8*	D9	L1	L2	L3	L4	L5*	L6*	L7*	L8*	C1	C2*	S1	S2	S3	B
Type I	Φ55	Φ160	Φ24	Φ110	Φ215	4-Φ135	Φ145	4-M8X16	M20X28	82	13	15	112	6	69	236.5	348.5	182	130	6	70	59	16
Type II	Φ55	Φ160	Φ38	Φ114.3	Φ215	4-Φ135	Φ200	4-M12X25	M20X28	82	13	15	112	10	83	260.5	372.5	182	180	6	70	59	16
Type III	Φ55	Φ160	Φ42	Φ114.3	Φ215	4-Φ135	Φ200	4-M12X25	M20X28	82	13	15	112	10	117	293.5	406.5	182	180	6	70	59	16

MVD-210-L2



Flange	D1	D2	D3*	D4*	D5	D6	D7*	D8*	D9	L1	L2	L3	L4*	L5*	L6*	L7*	L8*	C1*	C2*	S1	S2	S3	B
Type I	Φ75	Φ180	Φ48	Φ200	Φ250	4-Φ17	Φ235	4-M12X25	M20X42	105	35	17	143	10	116	257	459	215	220	7	90	79.5	20
Type II	Φ75	Φ180	Φ55	Φ200	Φ250	4-Φ17	Φ235	4-M12X25	M20X42	105	35	17	143	10	116	257	459	215	220	7	90	79.5	20

*Dimensions based on servo-motor, please contact us for custom made order.
注有 * 尺寸：代表可根据客户需求定制产品，如有需要，请联系我们！

*Dimensions based on servo-motor, please contact us for custom made order.
注有 * 尺寸：代表可根据客户需求定制产品，如有需要，请联系我们！

Planetary Gearbox Performance table

Planetary Gearbox Performance table

MVD

MVD-060																																
Symb.	i	T _{2N}	T _{2Not}	n _{1N}	n _{1Max}	j _t	C _{2t}	F _{2RMax}	F _{2AMax}	J ₁	η	L _h	T	Lub	PC	MP	dB															
Unit		N _m	N _m	rpm	rpm	arcmin	Nm/arcmin	N	N	kgcm ²	%	h	°C																			
I STAGE	3	34	2×T _{2N}	3300	6000	≤3	6	3000	2700	0.40	≥95	> 20000	-15~45	Life Lubrication 终身润滑	IP65	Any 任何方向	≤60															
	4	50								0.32																						
	5	50								0.28																						
	6	50								0.28																						
	7	50								0.25																						
	8	50								0.25																						
	9	35								0.25																						
	10	35								0.25																						
	II STAGE	15								34								2×T _{2N}	3300	6000	≤5	6	3000	2700	0.38	≥90	> 20000	-15~45	Life Lubrication 终身润滑	IP65	Any 任何方向	≤60
		20								50															0.33							
25		50	0.30																													
50		50	0.27																													
80		50	0.26																													
100		35	0.25																													

MVD-100																																
Symb.	i	T _{2N}	T _{2Not}	n _{1N}	n _{1Max}	j _t	C _{2t}	F _{2RMax}	F _{2AMax}	J ₁	η	L _h	T	Lub	PC	MP	dB															
Unit		N _m	N _m	rpm	rpm	arcmin	Nm/arcmin	N	N	kgcm ²	%	h	°C																			
I STAGE	3	220	2×T _{2N}	2500	6000	≤3	31	6800	6200	3.14	≥95	> 20000	-15~45	Life Lubrication 终身润滑	IP65	Any 任何方向	≤65															
	4	300								2.40																						
	5	350								2.16																						
	6	350								2.16																						
	7	350								1.93																						
	8	360								1.93																						
	9	240								1.93																						
	10	220								1.90																						
	II STAGE	15								220								2×T _{2N}	2500	6000	≤5	31	6800	6200	2.95	≥90	> 20000	-15~45	Life Lubrication 终身润滑	IP65	Any 任何方向	≤65
		20								300															2.57							
25		350	2.38																													
50		350	2.14																													
80		360	2.05																													
100		220	1.97																													

MVD

MVD-075																																
Symb.	i	T _{2N}	T _{2Not}	n _{1N}	n _{1Max}	j _t	C _{2t}	F _{2RMax}	F _{2AMax}	J ₁	η	L _h	T	Lub	PC	MP	dB															
Unit		N _m	N _m	rpm	rpm	arcmin	Nm/arcmin	N	N	kgcm ²	%	h	°C																			
I STAGE	3	80	2×T _{2N}	2900	6000	≤3	10	4200	3900	1.01	≥95	> 20000	-15~45	Life Lubrication 终身润滑	IP65	Any 任何方向	≤62															
	4	120								0.78																						
	5	125								0.68																						
	6	125								0.68																						
	7	125								0.59																						
	8	125								0.59																						
	9	80								0.59																						
	10	80								0.57																						
	II STAGE	15								80								2×T _{2N}	2900	6000	≤5	10	4200	3900	0.95	≥90	> 20000	-15~45	Life Lubrication 终身润滑	IP65	Any 任何方向	≤62
		20								125															0.82							
25		125	0.76																													
50		125	0.67																													
80		125	0.63																													
100		80	0.59																													

MVD-140																																
Symb.	i	T _{2N}	T _{2Not}	n _{1N}	n _{1Max}	j _t	C _{2t}	F _{2RMax}	F _{2AMax}	J ₁	η	L _h	T	Lub	PC	MP	dB															
Unit		N _m	N _m	rpm	rpm	arcmin	Nm/arcmin	N	N	kgcm ²	%	h	°C																			
I STAGE	3	460	2×T _{2N}	2000	5000	≤3	53	11000	9800	16.77	≥95	> 20000	-15~45	Life Lubrication 终身润滑	IP65	Any 任何方向	≤66															
	4	650								12.61																						
	5	700								10.31																						
	6	700								10.31																						
	7	700								8.73																						
	8	700								8.73																						
	9	500								8.64																						
	10	460								8.35																						
	II STAGE	15								460								2×T _{2N}	2000	5000	≤5	53	11000	9800	15.19	≥90	> 20000	-15~45	Life Lubrication 终身润滑	IP65	Any 任何方向	≤66
		20								650															13.05							
25		700	11.89																													
50		700	10.28																													
80		700	9.39																													
100		460	8.76																													

Planetary Gearbox Performance table

Planetary Gearbox Efficiency chart

MVD-180																																
Symb.	i	T _{2N}	T _{2Not}	n _{1N}	n _{1Max}	j _t	C _{2t}	F _{2RM}	F _{2AM}	J ₁	η	L _h	T	Lub	PC	MP	dB															
Unit		N _m	N _m	rpm	rpm	arcmin	Nm/arcmin	N	N	kgcm ²	%	h	°C																			
I STAGE	3	980	2×T _{2N}	1500	4500	≤3	175	18500	16000	54.2	≥95	>20000	-15~45	Life Lubrication 终身润滑	IP65	Any 任何方向	≤71															
	4	1350								39.44																						
	5	1400								33.38																						
	6	1400								33.02																						
	7	1400								27.49																						
	8	1400								27.00																						
	9	1000								26.37																						
	10	980								47.00																						
	II STAGE	15								980								2×T _{2N}	1500	4500	≤5	175	18500	16000	34.5	≥90	>20000	-15~45	Life Lubrication 终身润滑	IP65	Any 任何方向	≤71
		20								1350															31.5							
25		1400	30.8																													
50		1400	28.3																													
80		1400	26.37																													
100		980	30.36																													

MVD-210																																
Symb.	i	T _{2N}	T _{2Not}	n _{1N}	n _{1Max}	j _t	C _{2t}	F _{2RM}	F _{2AM}	J ₁	η	L _h	T	Lub	PC	MP	dB															
Unit		N _m	N _m	rpm	rpm	arcmin	Nm/arcmin	N	N	kgcm ²	%	h	°C																			
I STAGE	3	1600	2×T _{2N}	1200	3500	≤3	400	23000	21000	139	≥95	>20000	-15~45	Life Lubrication 终身润滑	IP65	Any 任何方向	≤75															
	4	2200								83.5																						
	5	2300								68.1																						
	6	2300								68.1																						
	7	2300								54.4																						
	8	2300								52.2																						
	9	1800								49.3																						
	10	1600								47.0																						
	II STAGE	15								1600								2×T _{2N}	1200	3500	≤5	400	23000	21000	34.5	≥90	>20000	-15~45	Life Lubrication 终身润滑	IP65	Any 任何方向	≤75
		20								2200															31.5							
25		2300	30.8																													
50		2300	28.3																													
80		2300	28.1																													
100		1600	28.0																													

Efficiency

The efficiency of planetary reducers varies with several parameters such as ratio, input speed, temperature, lubrication conditions, etc.

The efficiency was measured under the following working conditions:

Input speed (rpm)	3000
Operating temperature (°C)	25
Lubricant	Standard

效率特性

减速机的效率一般因减速比、输入转速、负载转速、温度、润滑条件而异。在下列测定条件下，各系列的效率如下所示。此外，图表的数值均为平均值。

输入转速 (rpm)	3000
环境温度 (°C)	25
润滑剂	标准润滑剂

