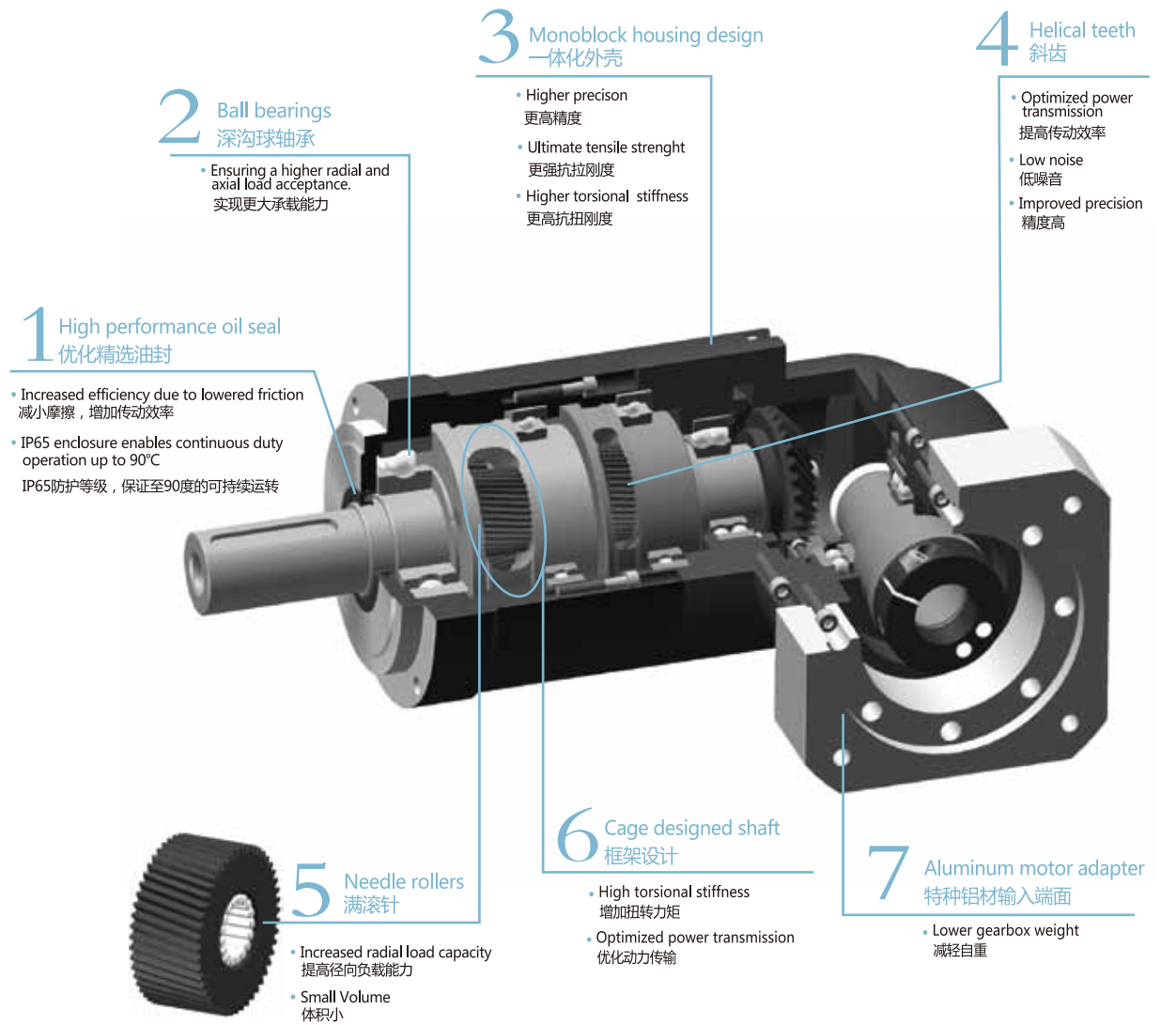




Excellent Performances, broad-spectrum, high torsional stiffness, high efficiency, low noise, low backlash.

高性能，用途广，高刚性，高效率，低噪音，低背隙



造型数据:

Selection data:

扭矩 (Nm)	22-600
速比	3-100
背隙 (arcmin)	≤8
最大工作温度 (°C)	90
噪音 (dB)	66-74

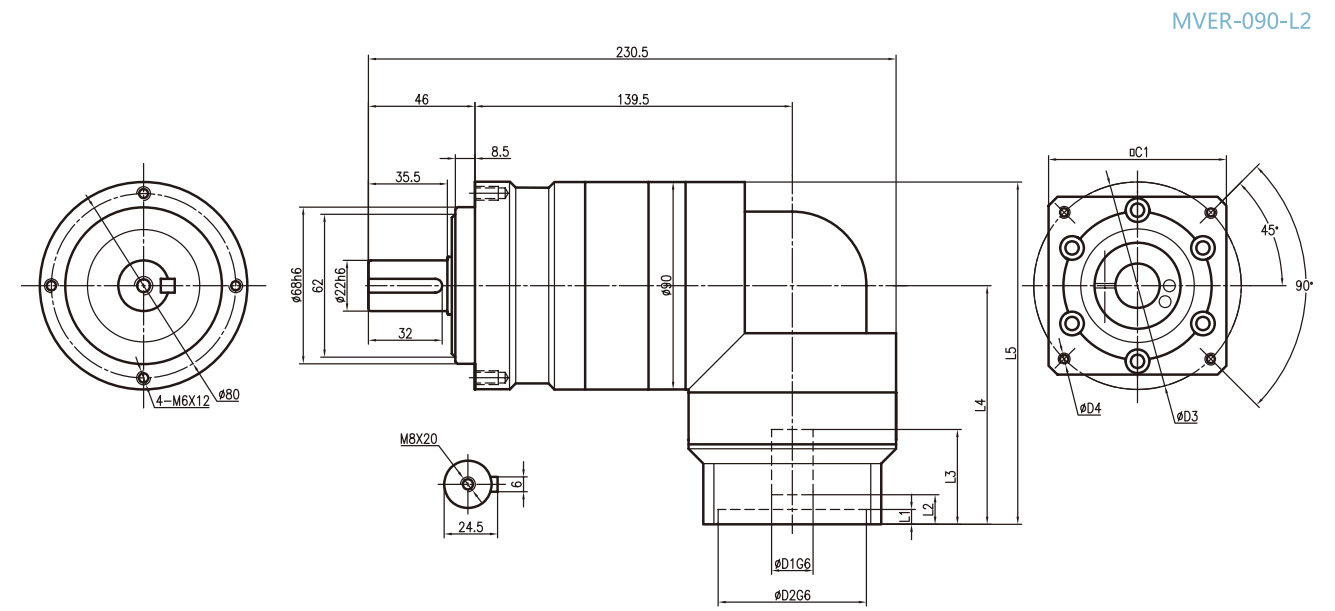
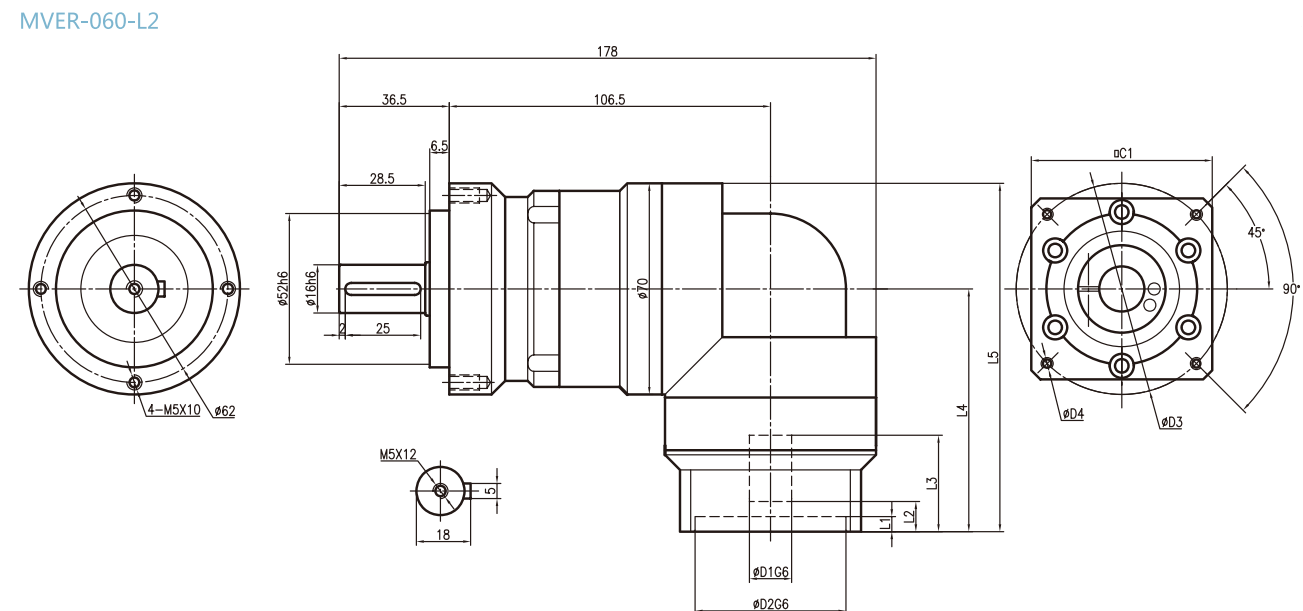
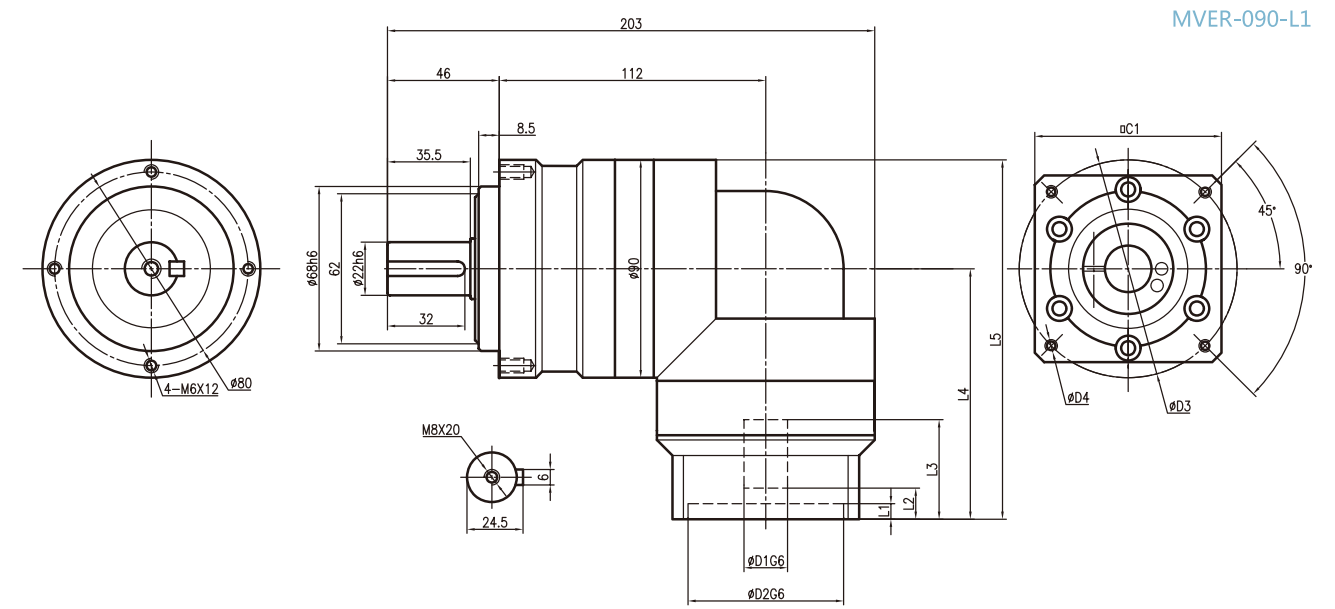
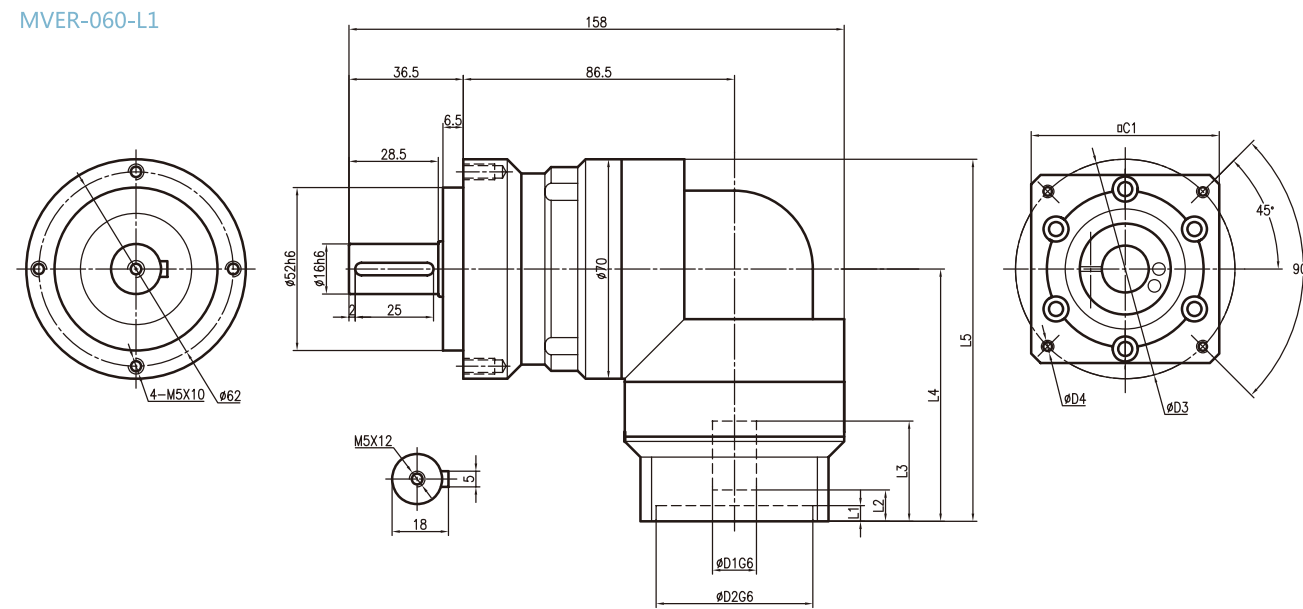
Nominal output torque (Nm)	22-600
Reduction ratio	3-100
Backlash (arcmin)	≤8
Max.working temperature (°C)	90
Noise (dB)	66-74

Planetary Gearbox

Drawing / Size

Planetary Gearbox

Drawing / Size



Flange	D1*	D2*	D3*	D4*	L1*	L2*	L3*	L4*	L5*	C1*
Type I	Φ11	Φ50	Φ70	4-M4X8	5	10	32	80.5	115.5	60
Type II	Φ14	Φ50	Φ70	4-M4X8	5	10	32	80.5	115.5	60

Flange	D1*	D2*	D3*	D4*	L1*	L2*	L3*	L4*	L5*	C1*
Type I	Φ19	Φ70	Φ90	4-M8X16	12	13	42	107	152	80
Type II	Φ22	Φ110	Φ145	4-M8X16	12	13	60	125	170	130
Type III	Φ24	Φ110	Φ145	4-M8X16	12	13	60	125	170	130

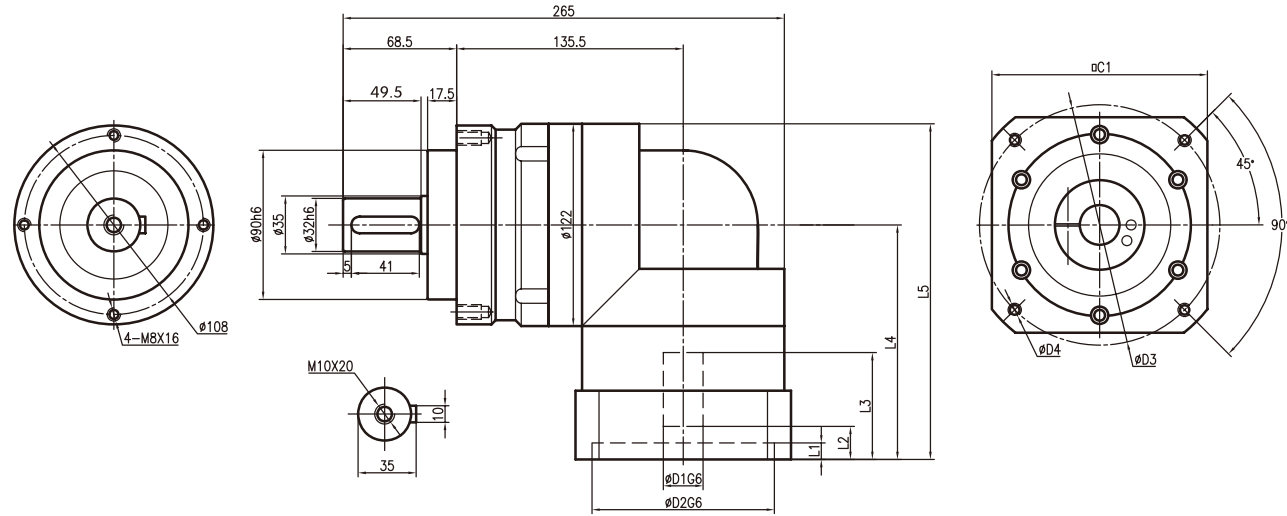
*Dimensions based on servo-motor, please contact us for custom made order.
注有 * 尺寸：代表可根据客户需求定制产品，如有需要，请联系我们！

*Dimensions based on servo-motor, please contact us for custom made order.
注有 * 尺寸：代表可根据客户需求定制产品，如有需要，请联系我们！

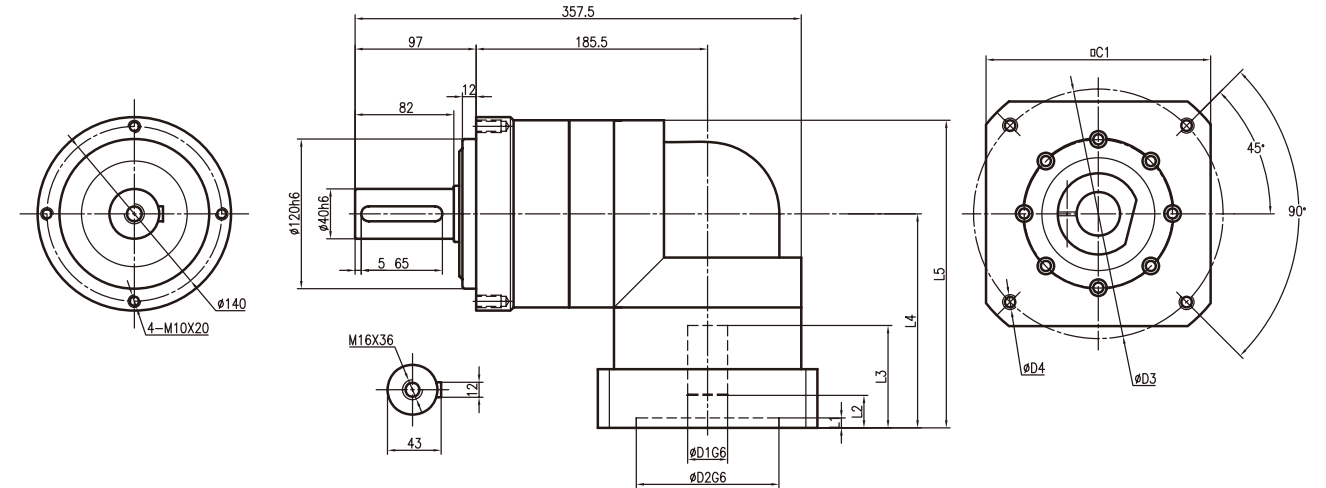
Planetary Gearbox Drawing / Size

Planetary Gearbox Drawing / Size

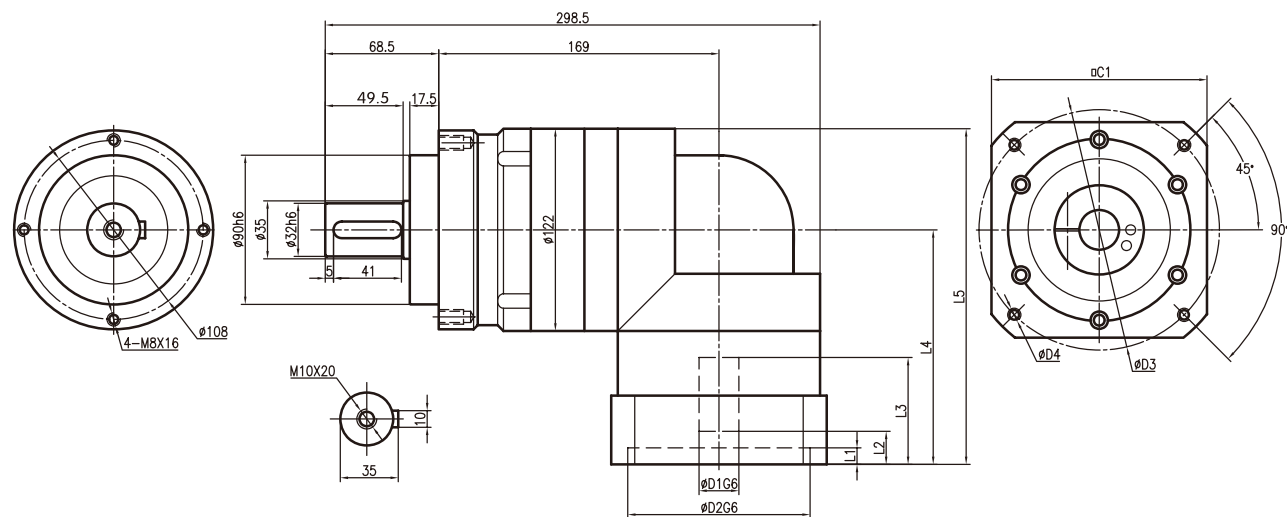
MVER-120-L1



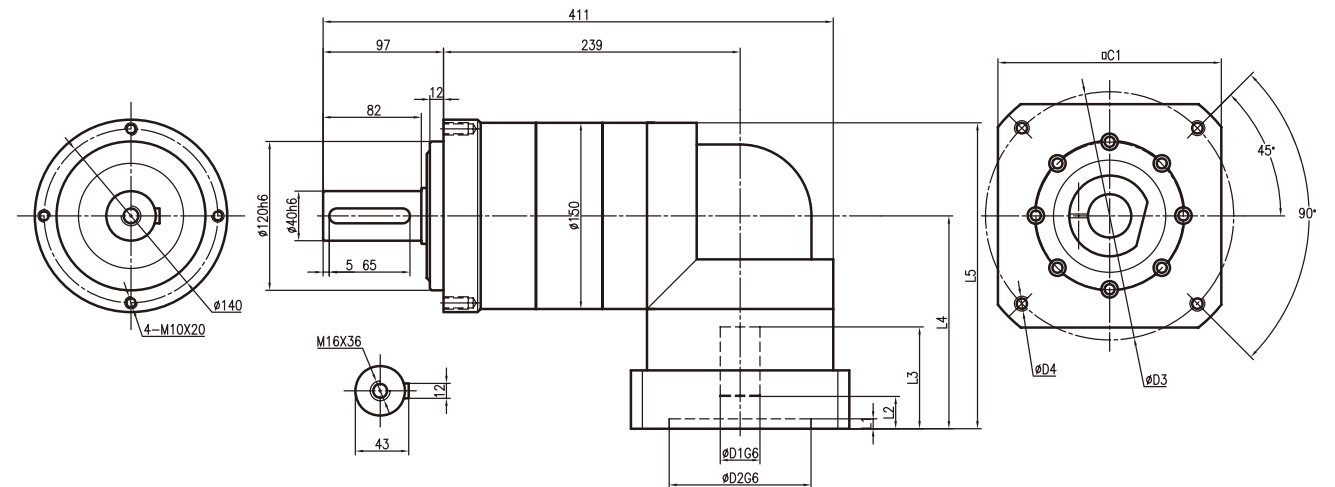
MVER-155-L1



MVER-120-L2



MVER-155-L2



Flange	D1*	D2*	D3*	D4*	L1*	L2*	L3*	L4*	L5*	C1*
Type I	Φ22	Φ110	Φ145	4-M8X16	10	19	64.5	141.5	202.5	130
Type II	Φ24	Φ110	Φ145	4-M8X16	10	19	64.5	141.5	202.5	130
Type III	Φ32	Φ130	Φ165	4-M10X20	10	19	60	147.5	208.5	160

Flange	D1*	D2*	D3*	D4*	L1*	L2*	L3*	L4*	L5*	C1*
Type I	Φ24	Φ110	Φ145	4-M8X16	8	17	67	167	217.5	130
Type II	Φ32	Φ114.3	Φ165	4-M10X20	8	17	67	167	217.5	160
Type III	Φ35	Φ114.3	Φ200	4-M12X25	8	26	82	171.5	246.5	178

*Dimensions based on servo-motor, please contact us for custom made order.
注有 * 尺寸：代表可根据客户需求定制产品，如有需要，请联系我们！

*Dimensions based on servo-motor, please contact us for custom made order.
注有 * 尺寸：代表可根据客户需求定制产品，如有需要，请联系我们！

Planetary Gearbox Performance table

MVER-060																																
Symb.	i	T _{2N}	T _{2Not}	n _{1N}	n _{1Max}	j _t	C _{2t}	F _{2RMax}	F _{2AMax}	J ₁	η	L _h	T	Lub	PC	MP	dB															
Unit		N _m	N _m	rpm	rpm	arcmin	Nm/arcmin	N	N	kgcm ²	%	h	°C																			
I STAGE	3	22	2×T _{2N}	5000	10000	≤8	7	1200	1050	0.16	≥90	>20000	-15~45	Life Lubrication 终身润滑	IP65	Any 任何方向	≤66															
	4	30								7								0.14														
	5	45								7								0.13														
	6	45								7								0.13														
	7	45								7								0.13														
	8	45								7								0.13														
	9	30								7								0.13														
	10	30								7								0.13														
	II STAGE	15								30											7			0.13								
		20								30											7			0.13								
35		45				7			0.13																							
40		45				7			0.13																							
50		45				7			0.13																							
80		45				7			0.13																							
100		30				7			0.13																							

Planetary Gearbox Performance table

MVER-120																																
Symb.	i	T _{2N}	T _{2Not}	n _{1N}	n _{1Max}	j _t	C _{2t}	F _{2RMax}	F _{2AMax}	J ₁	η	L _h	T	Lub	PC	MP	dB															
Unit		N _m	N _m	rpm	rpm	arcmin	Nm/arcmin	N	N	kgcm ²	%	h	°C																			
I STAGE	3	150	2×T _{2N}	4000	8000	≤8	25	4200	3800	3.25	≥90	>20000	-15~45	Life Lubrication 终身润滑	IP65	Any 任何方向	≤72															
	4	200								25								2.74														
	5	260								25								2.71														
	6	300								25								2.71														
	7	300								25								2.62														
	8	300								25								2.60														
	9	200								25								2.59														
	10	200								25								2.57														
	II STAGE	15								200											25			0.45								
		20								300											25			0.45								
35		300				25			0.45																							
40		300				25			0.45																							
50		300				25			0.40																							
80		300				25			0.40																							
100		200				25			0.40																							

MVER-090																																
Symb.	i	T _{2N}	T _{2Not}	n _{1N}	n _{1Max}	j _t	C _{2t}	F _{2RMax}	F _{2AMax}	J ₁	η	L _h	T	Lub	PC	MP	dB															
Unit		N _m	N _m	rpm	rpm	arcmin	Nm/arcmin	N	N	kgcm ²	%	h	°C																			
I STAGE	3	65	2×T _{2N}	4000	8000	≤8	14	2400	2200	0.61	≥90	>20000	-15~45	Life Lubrication 终身润滑	IP65	Any 任何方向	≤68															
	4	85								14								0.48														
	5	90								14								0.47														
	6	90								14								0.47														
	7	90								14								0.45														
	8	90								14								0.45														
	9	65								14								0.42														
	10	65								14								0.40														
	II STAGE	15								65											14			0.45								
		20								85											14			0.45								
35		90				14			0.45																							
40		90				14			0.45																							
50		90				14			0.45																							
80		90				14			0.40																							
100		65				14			0.40																							

MVER-155																																
Symb.	i	T _{2N}	T _{2Not}	n _{1N}	n _{1Max}	j _t	C _{2t}	F _{2RMax}	F _{2AMax}	J ₁	η	L _h	T	Lub	PC	MP	dB															
Unit		N _m	N _m	rpm	rpm	arcmin	Nm/arcmin	N	N	kgcm ²	%	h	°C																			
I STAGE	3	270	2×T _{2N}	3000	6000	≤8	50	8500	7800	9.21	≥90	>20000	-15~45	Life Lubrication 终身润滑	IP65	Any 任何方向	≤74															
	4	350								50								7.54														
	5	420								50								7.42														
	6	520								50								7.42														
	7	600								50								7.14														
	8	600								50								7.14														
	9	400								50								7.08														
	10	400								50								7.03														
	II STAGE	15								400											50			2.63								
		20								520											50			2.63								
35		600				50			2.43																							
40		600				50			2.43																							
50		600				50			2.39																							
80		600				50			2.39																							
100		400				50			2.39																							

MVER

MVER

Planetary Gearbox Efficiency

Efficiency

The efficiency of planetary reducers varies with several parameters such as ratio, input speed, temperature, lubrication conditions, etc.

The efficiency was measured under the following working conditions:

Input speed (rpm)	3000
Operating temperature (°C)	25
Lubricant	Standard

效率特性

减速机的效率一般因减速比、输入转速、负载转速、温度、润滑条件而异。在下列测定条件下，各系列的效率如下所示。此外，图表的数值均为平均值。

输入转速 (rpm)	3000
环境温度 (°C)	25
润滑剂	标准润滑剂

Planetary Gearbox Efficiency chart

